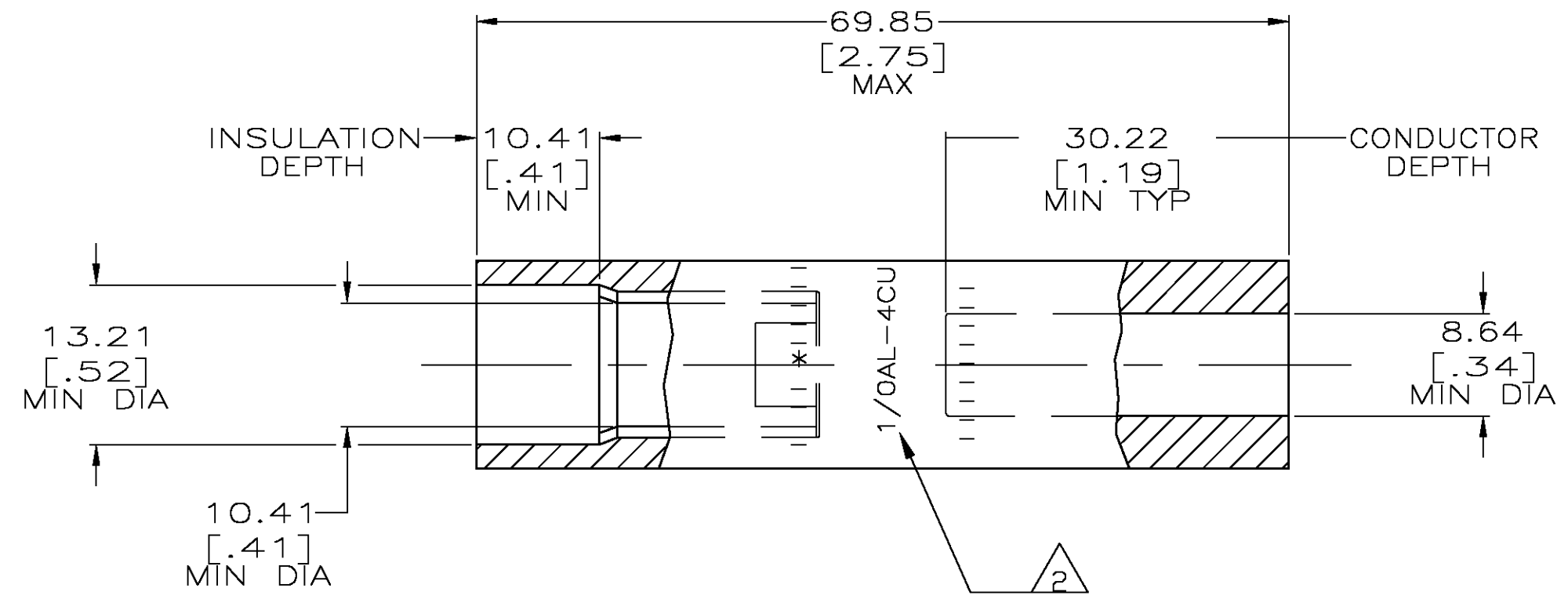


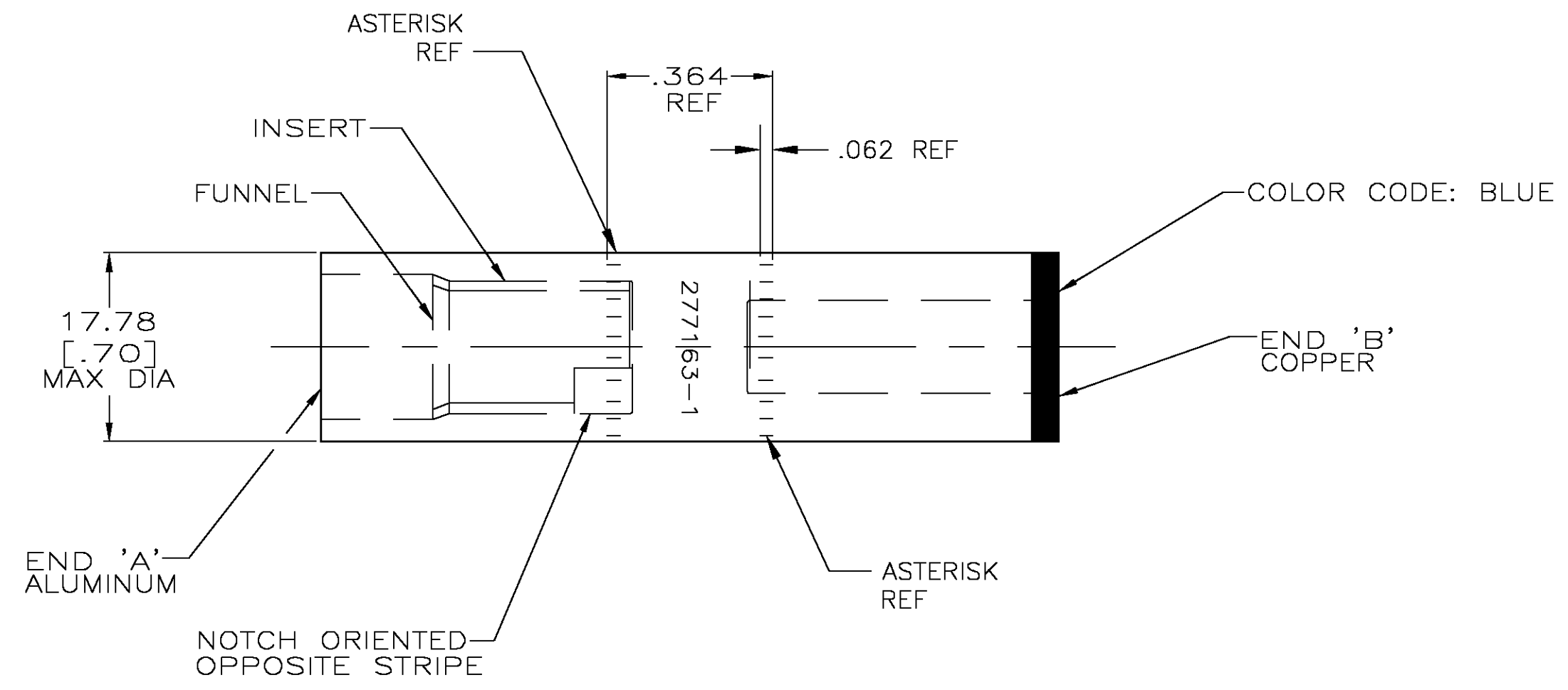
THIS DRAWING IS UNPUBLISHED. RELEASED FOR PUBLICATION  
 © COPYRIGHT BY TYCO ELECTRONICS CORPORATION. ALL RIGHTS RESERVED.

LOC	DIST	REVISIONS					
		P	LTR	DESCRIPTION	DATE	DWN	APVD
G	86						
		P		REV PER 0G3A-0499-04	24JUN04	JR	MS



1 WIRE INSULATION:  
 END 'A' 10.80[.425] - 11.94[.470] DIA FOR 1/0 AL  
 END 'B' 7.01[.276] - 7.75[.305] DIA FOR 4 CU

△ 2 STAMP 277163-1 AMP 1/0AL-4CU APPROX AS SHOWN



INSERT & FUNNEL: BRASS MIL-C-50	277163-1
NICKEL PL QQ-N-290 0.00762[.000300] AVG THK	
SPLICE: COPPER ASTM B-187	
TIN PL ASTM B545 0.00381[.000150] MIN THK	
MATERIAL & FINISH	

THIS DRAWING IS A CONTROLLED DOCUMENT.		DWN DK SCHRUM 7/6/89	Tyco Electronics Corporation Harrisburg, Pa 17105-3608	
DIMENSIONS: mm [INCHES]		CHK MS FEHER 5/1/91		
TOLERANCES UNLESS OTHERWISE SPECIFIED:		APVD MJ SPICER 5/1/91	NAME	
0 PLC ± -		PRODUCT SPEC	WIRE SPLICE, TRANSITIONAL, COPALUM, SEALED,	
1 PLC ± -		APPLICATION SPEC	WIRE SIZE: 22.0mm [4] COPPER	
2 PLC ± -		108-11011	55.5mm <sup>2</sup> [1/0] ALUMINUM	
3 PLC ± -		114-2134	SIZE	CAGE CODE
4 PLC ± -		WEIGHT 92.5 GRAMS	A2	00779
ANGLES ± -		CUSTOMER DRAWING	DRAWING NO C=277163	
FINISH SEE TABLE		SCALE 2:1	SHEET 1 OF 1	REV P